



NoBark
VOICE

User's guide

DECLARATION OF CONFORMITY

DOGTEK®

**declares that
the bark control collar**

NoBark Voice

**complies with the all FCC regulations
and complies with standards below**

**EN 550 22 – ed 98 A1 : 2000 A2 : 2003
EN 550 24 – ed 98 A1 : 2001 A2 : 2003**



Thank you for choosing this DOGTEK product.

Before using this product, carefully read the instructions in this manual; be sure to keep it safe for future reference.

Index	Page
Advice to obtain the best results	2
Package contents	2
Description of the product	3
Fitting the battery	3
Fitting the strap	3
Switching On the collar	4
Switching Off the collar	4
Changing operating modes	4
Recording and listening of vocal messages	4
Setting the barking detection sensitivity	5
Checking/replacing battery	5
Changing the sensor	6
Fitting the collar	6
Checking the device operates correctly	6
Cautions for use	6
Maintenance	7
Troubleshooting	7
Technical specifications	7
Warranty	7
Warranty conditions	7
Spare parts.....	8

Advice to obtain the best results

**The owner's involvement during the first use of the product
is a key factor in obtaining the best results.**

Do not leave your dog unattended with the collar on **until he is used to wearing it and you are satisfied that it is working correctly. You should ensure that the settings** (barking detection sensitivity / operating mode) **are adjusted correctly for your dog.**

Closely watch your pet during the first days' use.

When your dog is barking, let the collar operate without interference. Any interference on your part could be taken as a sign of consideration and consequently barking would be an effective mean to have your attention attracted.

As soon as your dog stops barking, congratulate him **(but not excessively)** by stroking him, verbally flattering him, or giving him dry food so as to encourage him to behave himself.

Remember that barking can indicate some behavioural problems. The bark control collar will allow you to resolve problems caused by excessive barking.

▪ **Package contents**

- collar equipped with a short bark sensor and a nylon strap
- 3 Volt CR 2450 lithium battery
- magnetic key (magnet)
- long bark sensor
- screwdriver (used for adjusting the sensitivity of the bark sensor)
- this user's manual

▪ **Description of the product**

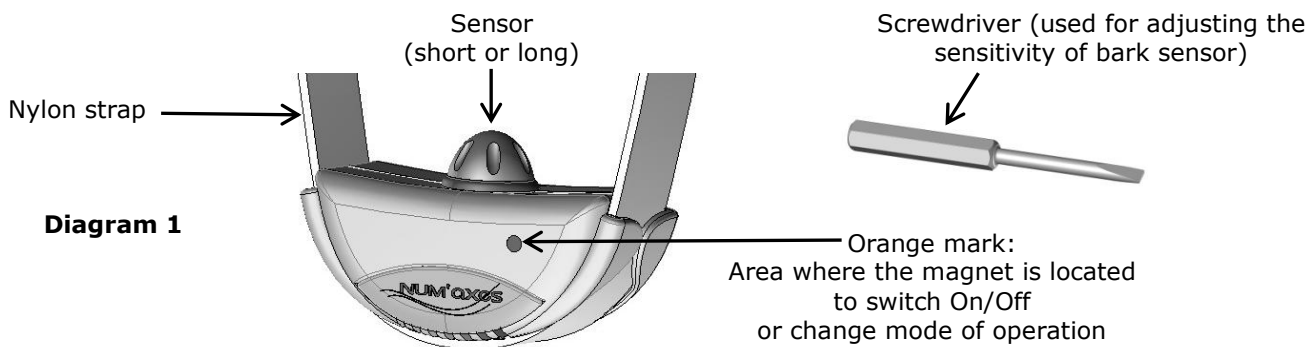


Diagram 1

▪ **Fitting the battery**

- Remove the 2 screws from the battery cover.
- Remove the battery cover.
- Insert the 3 Volt CR 2450 lithium battery **paying attention to the polarity indicated under the battery holder** (See diagram 2).
- A beep sound is emitted indicating that the battery has been properly inserted. If you do not hear any beep sound after inserting the battery, immediately remove it from the battery holder by using the supplied magnet (magnetic key) or by tapping briefly the case in the palm of your hand. Check the polarity before inserting the battery once again. If you still do not hear any beep sound, check the operation by switching the collar On and Off.
- Put the battery cover back in place **taking care to insert first the little pin at the bottom of the battery cover** (See diagram 3).
- Retighten moderately the 2 screws.

Diagram 2

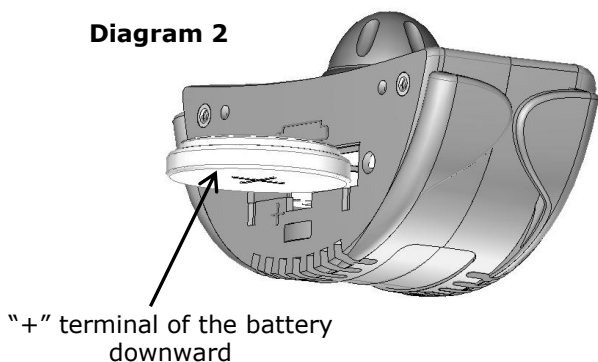
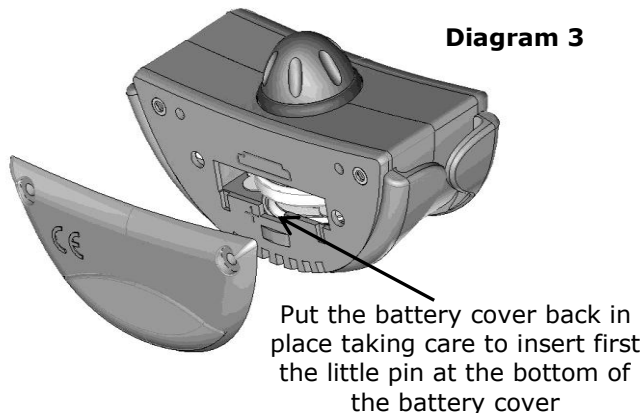


Diagram 3



▪ **Fitting the strap**

- Slide the strap alongside the case (See diagram 4).
- Place the slide buckle supplied on the strap (See diagram 5).
- Attach the quick-snap buckle to the free edge of the strap (See diagram 5).

Diagram 4

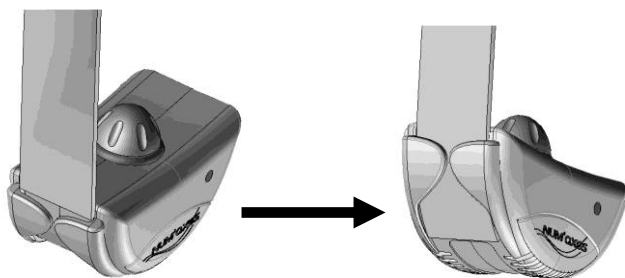
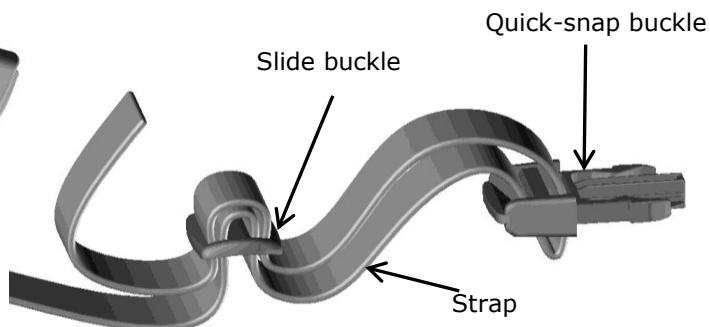


Diagram 5



- **Switching On the collar**

Briefly place (for less than 1 second) the magnetic key close to the orange mark located in front of the collar. 1, 2 or 3 short beep sounds are emitted (according to the chosen mode) and indicate that the collar has been switched on.

In the factory, the collar's mode is positioned on mode 2 (beep sounds then vocal messages).

- **Switching Off the collar**

Briefly place (for less than 1 second) the magnetic key close to the orange mark located in front of the collar. One long beep sound indicates that the collar has been switched off.

- **Changing operating modes**

In the factory, the collar's mode is positioned on mode 2 (beep sounds then vocal messages).

To change the collar's mode, when switching on the collar, you need to approach and keep the magnetic key in contact with the orange mark.

A series of beep sounds is emitted (from 1 to 3 beeps) indicating the selected mode.

Keep the magnetic key in contact with the orange mark to run through modes.

Remove the magnetic key when you have reached the mode you wish.

The collar will memorize your selected mode.

Next time you will switch on the collar, your collar will be turned on to the last mode you previously selected.

The chart below indicates how your collar operates according to the mode you have selected:

Number of beep sounds	Mode	Operation
1	1	Vibrations + beep sounds
2	2(*)	<u>Beep sounds then vocal messages:</u> 1 st bark: beep sounds 2 nd bark: vocal message 1 3 rd bark: vocal message 2
3	3(*)	<u>Vibrations then vocal messages:</u> 1 st bark: vibrations 2 nd bark: vocal message 1 3 rd bark: vocal message 2

(*): In mode 2 and 3:

- If your dog continues to bark, after the 4th bark, the collar begins again its operating cycle (beep sounds for the mode 2 and vibrations for the mode 3).
- If your dog stops barking during few seconds, the collar will begin again its cycle at the beginning (beep sounds for the mode 2 and vibrations for the mode 3).

- **Recording and listening of vocal messages**

WARNING: to record or listen to the vocal messages, your collar must be switched off.

When selecting the operating mode 2 or 3, you have to record 2 vocal messages of 5 seconds each. We advise you to use short words and to speak in a firm steady tone (without shouting).

Examples of messages: "no!"; "stop!"; "silence!"... which you can make follow or precede by the name of your dog.

To record and listen to your message 1, proceed in the following way:

- Remove the 2 screws from the battery cover.
- Remove the battery cover.
- Press and hold the button (See Diagram 6 below) a series of beep sounds (from 1 to 4) will be emitted by the collar indicating the selected mode.
- Select the mode 3: release the button when the mode 3 is reached (3 beep sounds).
- To record your vocal message 1, press again on the button and maintain the pressure during the recording of your message (speak near your collar). At the end of the recording, loosen the button.
- To listen and verify your message 1, select the mode 1: release the button when the mode 1 is reached.
- Your collar plays message 1.

- Put the battery cover back in place taking care to insert first the little pin at the bottom of the battery cover (See diagram 3).
- Retighten moderately the 2 screws.

For your message 2, proceed in the same way by selecting mode 4 to record it and mode 2 to listen to it.

The chart below presents the different modes regarding the recording and listening of vocal messages:

Number of beep sounds heard when switching modes	Mode	Operation
1	1	Listening of vocal message 1
2	2	Listening of vocal message 2
3	3	Recording of vocal message 1
4	4	Recording of vocal message 2

▪ **Setting the barking detection sensitivity**

Setting the barking detection sensitivity is a very important preliminary operation. In fact, this setting determines the correct operation of the product.

It ensures detection of any barking but helps avoid unnecessary detection.

The detection must therefore be sufficiently sensitive but not overly sensitive.

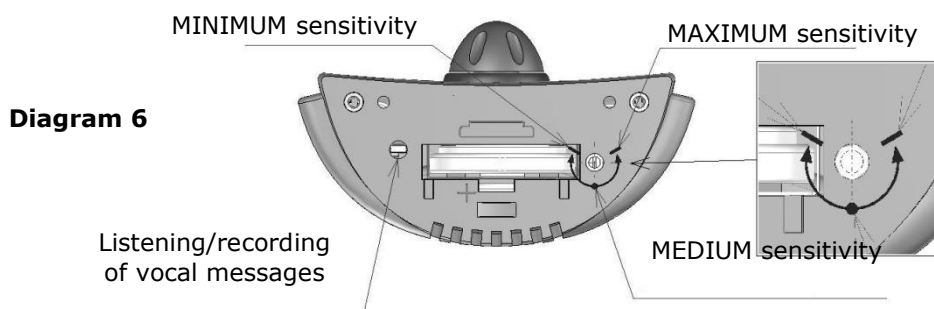
In the factory, detection sensitivity is set on "maximum sensitivity".

To adapt the detection sensitivity to the barking strength of your dog, you should proceed as follows:

- Remove the 2 screws from the battery cover.
- Remove the battery cover.
- Carefully turn the setting screw according to the sensitivity you wish (See Diagram 6)

CAUTION: the adjustment system has a stop for the minimum sensitivity and a stop for the maximum sensitivity. Turn delicately and without forcing with the supplied screwdriver.

- Put the battery cover back in place taking care to insert first the little pin at the bottom of the battery cover (See diagram 3).
- Retighten moderately the 2 screws.



▪ **Checking/replacing battery**

When the battery is too weak for the operation of the product, beep sounds indicate it in 2 cases: when switching on or off the collar, a series of close beep sounds is emitted.

When the battery is too weak, the product works under safety mode, it is out of use.

Prepare to replace the battery.

Due to greater use during your dog's training, your first battery may not last as long as the replacement batteries.

DOGTEK advises to use the same type and same brand of batteries as those supplied in your new purchased product. Other brands of batteries may not operate, or may not be completely compatible with your product.

You can purchase the suitable batteries from DOGTEK or from your distributor.

Replace the old battery with a new one as follows:

- Remove the 2 screws from the battery cover.
- Remove the battery cover.
- Remove the dry battery by using the supplied magnet (magnetic key) or by tapping briefly the case in the palm of your hand.
- Insert the new battery (3 Volt CR 2450 lithium battery) paying attention to the polarity indicated under the battery holder (See Diagram 2)
- A beep sound is emitted indicating that the battery was properly inserted.
If you do not hear any beep sound after inserting the battery, immediately remove it from the battery holder by using your magnet or by tapping briefly the case in the palm of your hand. Check the polarity before inserting the battery once again. If you still do not hear any beep sound, check the operation by switching the collar On and Off.
- Put the battery cover back in place taking care to insert first the little pin at the bottom of the battery cover (See diagram 3).
- Retighten moderately the 2 screws.

- **Changing the sensor**

Two different sensors are supplied. The length of the sensor must be sufficient to have proper contact with the dog's skin, enabling the device to operate correctly.

If you have a long haired dog and the short sensor fitted to the collar in the factory is inadequate, remove and replace it with the long one supplied with the kit.

When changing the sensor, do not press on the threaded rod, it could damage the components underneath.

A moderate manual screwing is sufficient (do not use any key). If you screw the sensor too much, bark detection is likely to be inefficient.

- **Fitting the collar**

The strap should be adjusted so that the sensor comes right into contact with the dog's skin in order to ensure good barking detection.

- If the strap is too loose, the collar will not operate properly. Moreover, it might move around the dog's neck and repeated rubbing of the sensor on the skin can cause irritation.
- If the strap is too tight, the dog will have breathing difficulties.

You must be able to let 2 fingers go between the collar's strap and the dog's neck.

Regularly check your dog's neck as repeated rubbing of the sensor on the dog's skin may cause irritation. If this happens, remove the collar until all signs of skin irritation have disappeared.

Do not leave the collar more than 8 hours a day around your dog's neck and take the time to check that there are no signs of irritation when your dog is not wearing it.

- **Checking the device operates correctly**

- Switch on the collar.
- Slowly rub the sensor on a slightly rough surface (change the detection sensitivity if necessary).
- The collar will emit vibrations and/or beeps and/or restore your vocal messages (according to the chosen configuration).

IMPORTANT: after being activated 3 times in quick succession, the collar will automatically go into safety mode for 15 seconds before restarting itself normally.

- **Cautions for use**

- The collar should be used on dogs only over 6 months old.
- Before using the collar, it is important to have your dog checked by your vet to ensure it is fit to wear a bark control collar.
- The collar is weatherproof but not waterproof.
- To avoid unintentional triggering, the dog should not wear a medal, metallic collar, or any other kind of collar together with the bark limiter collar.
- Remove the battery from the collar if you are not using it for 3 months or more.
- Never leave a discharged battery in the collar.
- Keep the collar out of reach of children.

- **Maintenance**

Do not use volatile liquids such as solvents or benzene to clean your bark limiter collar. Use simply a soft cloth, slightly moistened with water or a neutral detergent. The nylon strap can be washed with soapy water.

- **Troubleshooting**

Before thinking your collar is broken, read this booklet over and **make sure that the problem is not caused by a weak battery, a sensor screwed too tightly or incorrect settings (barking detection sensitivity, operating mode)**.

If the problem persists, **contact DOGTEK**

Depending on the extent of the malfunction, you may have to return your product for service and repair.

- **Technical specifications**

Power	3 Volt CR 2450 lithium battery
Battery life	30 days on a basis of 12 hours use and 24 triggers per day (vibrations then vocal messages)
Tightness	Shower proof
Battery waste indicator	Beep sounds indicator
Operation modes	3
Setting of bark detection sensitivity	By potentiometer
Dimensions	2.5 x 1.25 x 1 in.
Weight (battery included)	2 oz.
Adjustable collar for necks	from 6.5 to 22 in.
Use temperature	Between - 68°F and + 122°F

- **Warranty**

DOGTEK guarantees the product against production defects with a limited lifetime warranty. All postage and packing charges will be the purchaser's sole responsibility.

- **Warranty conditions**

1. The guarantee will be valid only if the proof of purchase (invoice or sales receipt), without cancellation, is submitted to the distributor or to **DOGTEK**. The guarantee is limited to the original purchaser.
2. This guarantee does not cover the following:
 - Changing the battery
 - Changing the strap
 - Direct or indirect transport risks incurred when sending the article back to the distributor or **DOGTEK**
 - Damage to the article caused by:
 - negligence or incorrect use (ex: bites, breakage, cracking)
 - use contrary to the instructions or not envisioned therein
 - repairs performed by unauthorized persons
 - Loss or theft
3. If the product is found to be defective, **DOGTEK** will either decide to repair or to replace it.
4. No claim may be advanced against **DOGTEK**, particularly in relation to incorrect use or breakdown.
5. **DOGTEK** reserves the right to modify the characteristics of its products with a view to making technical improvements or to comply with new regulations.
6. The information contained in this guide may be subject to amendment without prior notice.
7. Photos and drawings are not contractual.

- **Spare parts**

You can purchase spare parts (battery, strap, sensor, magnetic key etc) from your supplier at any time.



www.DOGTEK.com

contact@dogtek.com

